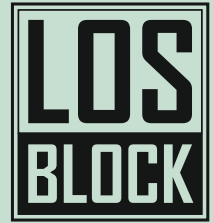
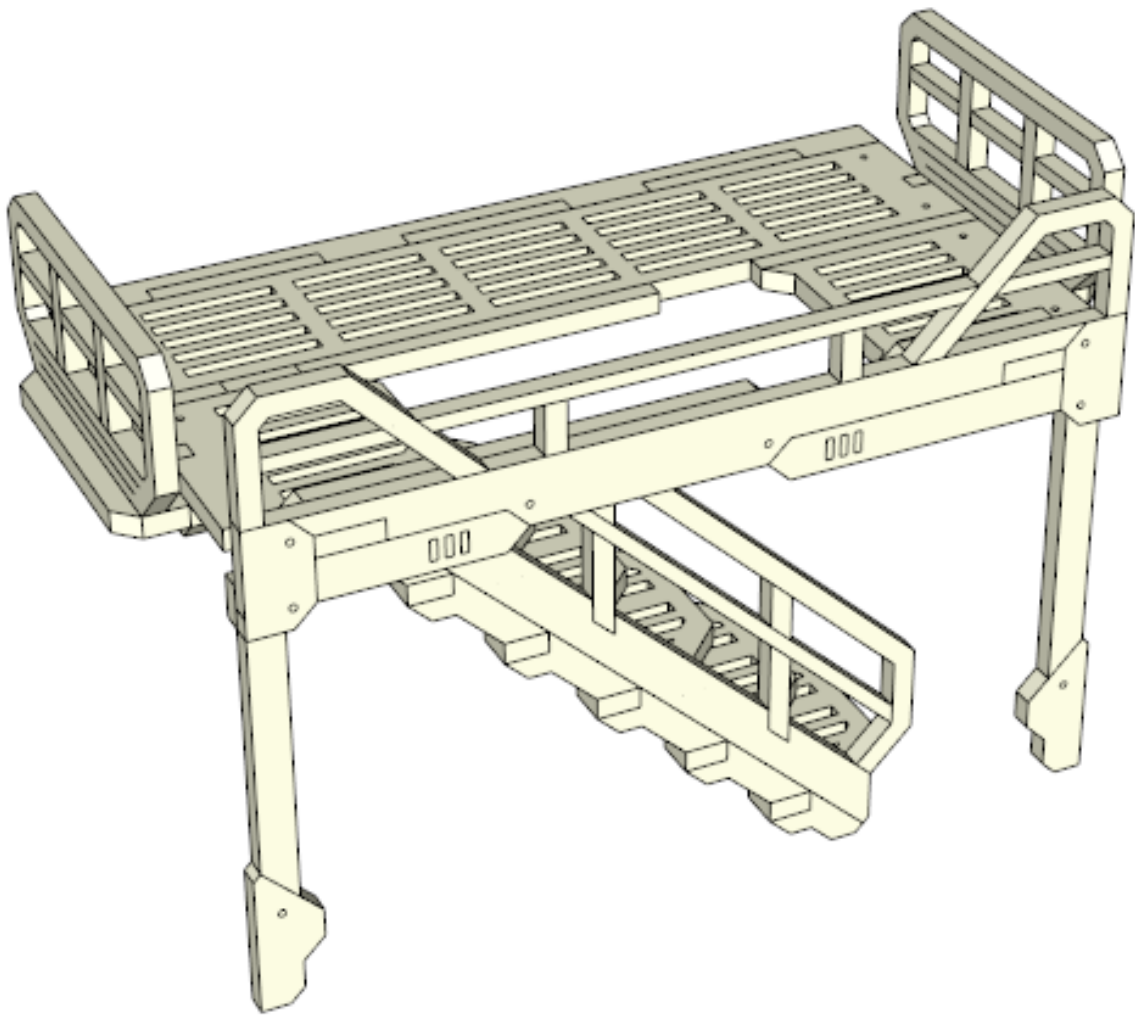


# Living Cell Stairs

construction manual



wargame scenery  
&  
accessories



Material: methacrylate, HDF

Remove the protection cover from details before construction.

We recommend to use the SuperGlue or its equivalents.

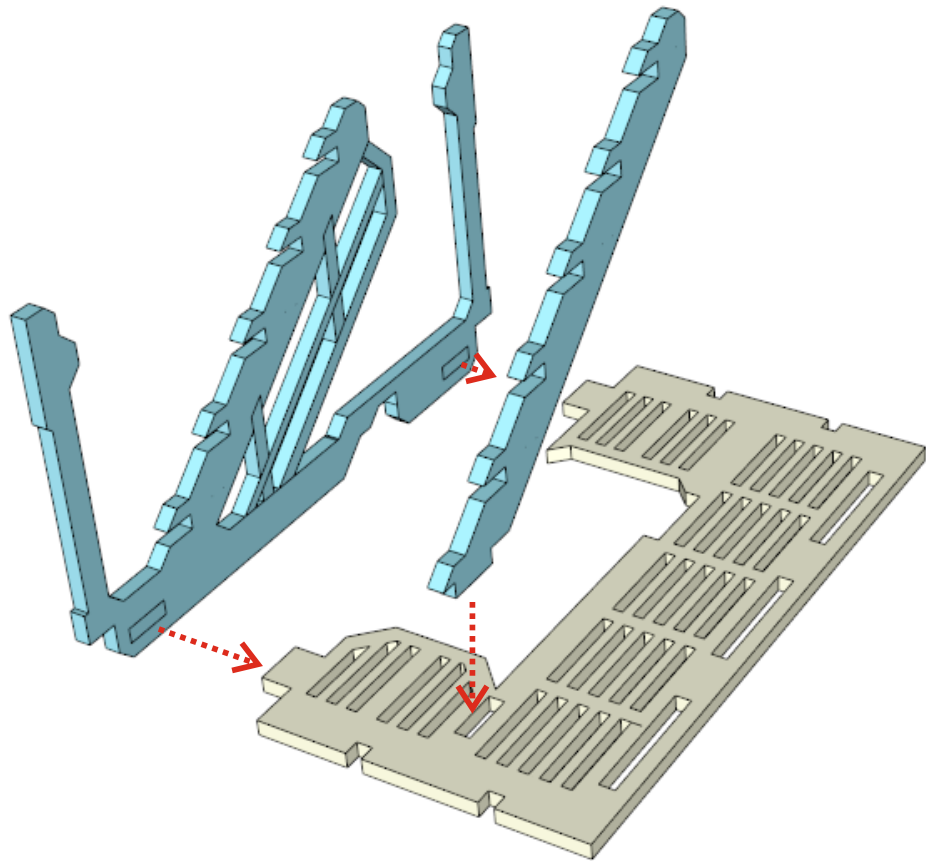
Degrease all surfaces before painting.

If you have any questions write us - [store@losblock.com](mailto:store@losblock.com)

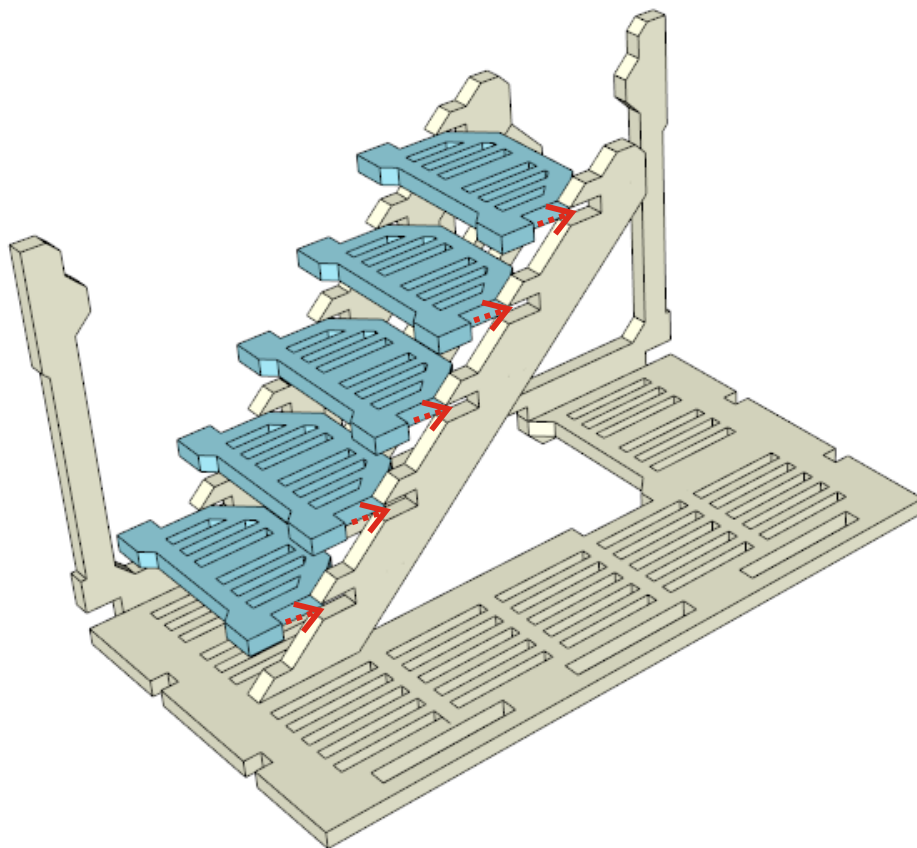
Small parts. Not recommended for children under 6 years.  
Real object can slightly differ from presented in this manual.

LOS BLOCK, 2015  
[www.losblock.com](http://www.losblock.com)

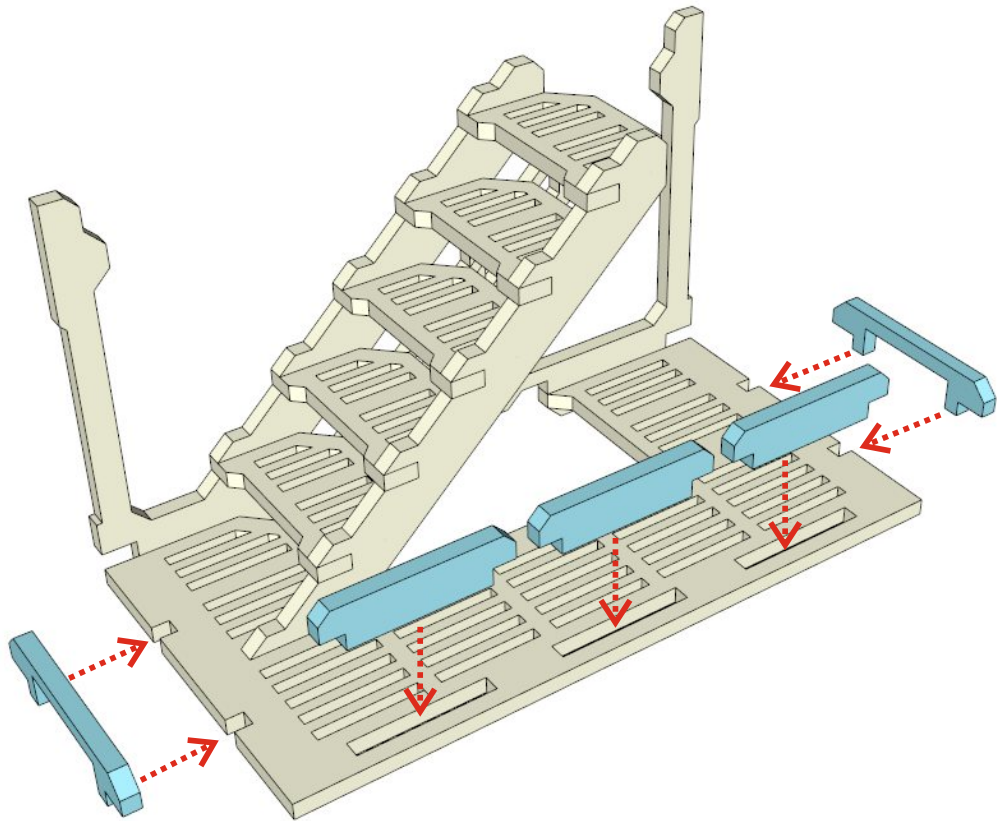
1.



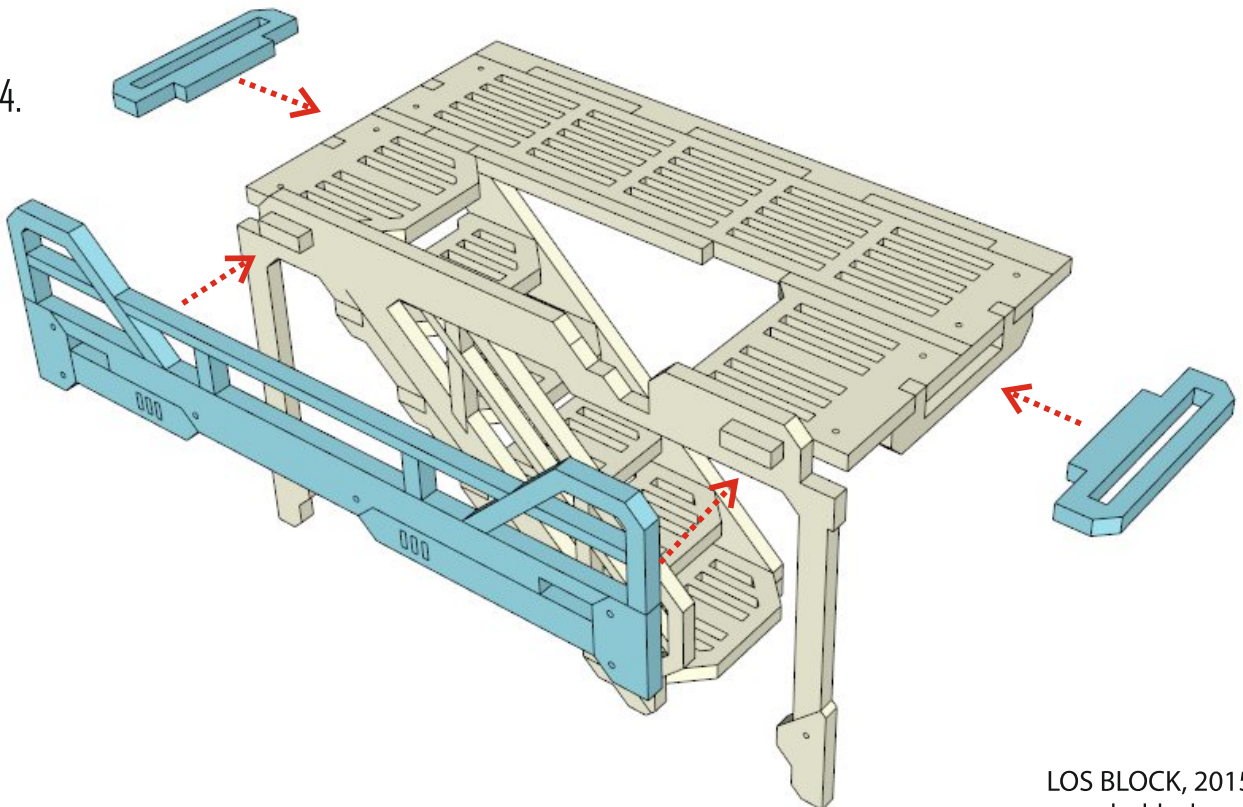
2.



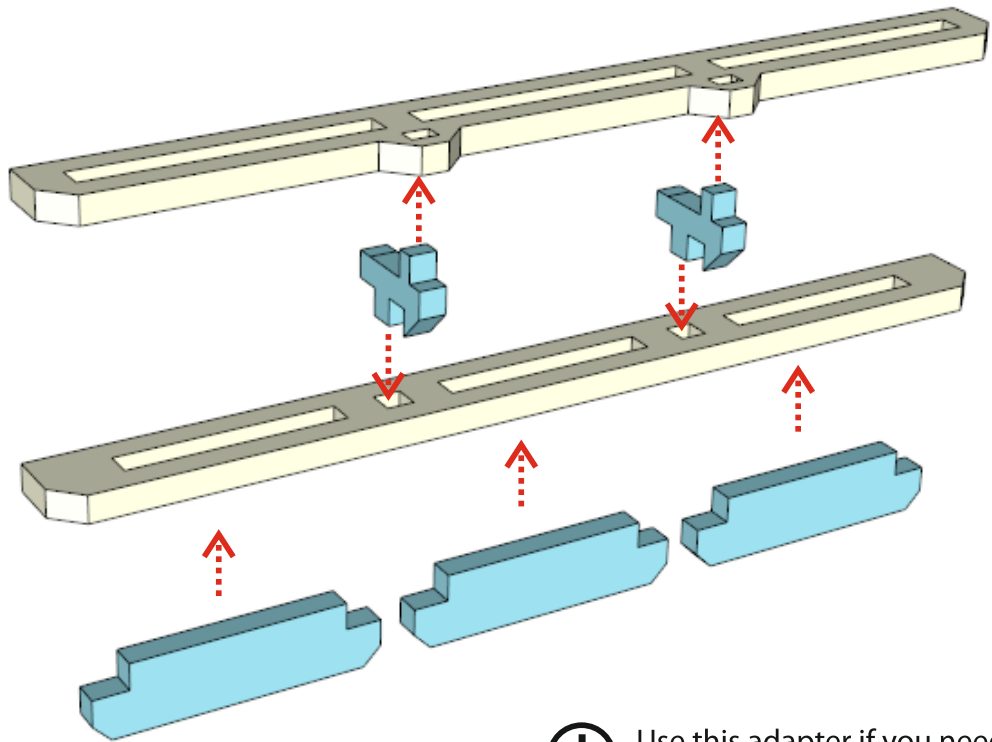
3.




4.



5.



 Use this adapter if you need to increase the connection height.

